

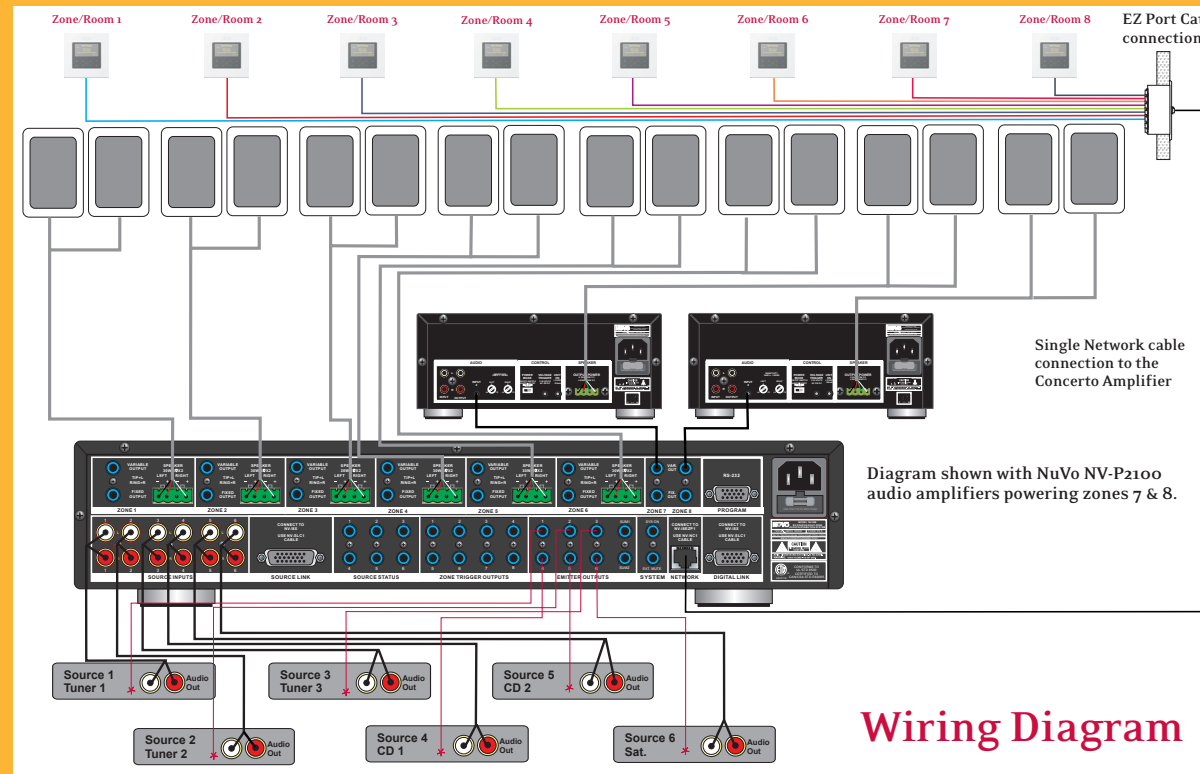
6 audio sources to 8 zones throughout the home



Grand Concerto Features

- Six audio source inputs for multisource capability, and up to eight zones of music (expandable to sixteen zones)
- 80 watts of power per zone – a truly powerful home audio experience at any music level with NuVo's signature impeccably crisp, clean sound
- Generation D digital amplifier for cooler operation and higher power output
- Capacitive Touch Control Pads featuring a smooth-as-glass interactive surface with Smart Source feedback
- 2.7" vivid OLED display – highly visible in any room lighting, displays up to 8 lines of text
- Streamlined navigation – browse sources by playlist, track, artist, album, genre, or station
- Integration for whole home paging
- RS-232 serial port for home automation integration
- Flexible setup options – Source Grouping, Security, Volume Reset, Master Mode, and more
- Two "unpowered" zones – for use with the NV-P2100 auxiliary satellite amplifier, to power up to 6 speakers in a zone, ideal for large living spaces or outdoor applications
- Built-in infrared receiver for wireless control – designed to block adverse interference of plasma displays, sunlight, or fluorescent lighting
- Fixed and variable line outputs for use with high-power external amplifiers
- NuVoNet Platform featuring plug-and-play compatibility with NuVo Smart Source components for the Complete Home Audio Solution

Concerto® Six-Source, Eight-Zone Audio Distribution System



Wiring Diagram

Zones 1-6 Power Amplifier Outputs	
Continuous Average Output Power	80W (40W x 2)
Two channels driven 30-20kHz @ 1% THD	
Rated Distortion (1/2 Power)	0.40%
Rated Impedance	6 Ohms
Damping Factor	50+
Frequency Response	(20-20kHz)

Zones 1-8 Preamplifier Outputs	
Variable output	0-600mV
Fixed output	600mV
Impedance	6 Ohms

Source Inputs 1-6	
Input Impedance	20k
Input Sensitivity for rated power	300mV RMS
Input Overload	3V RMS

Emitter Outputs	
Source Outputs	6
Sum Outputs	2
Output Drive Current	100mA
Output Drive Voltage	12V

System	
System On	12V @ 50 mA
External Mute	3-12V DC

Zone Trigger Outputs	
Output Power	12V @ 50mA
Outputs	8 (zones 1-8)

Source Status	
Output Power	12V @ 50mA
Outputs	6 (Source 1-6)

Power Requirements	
Power Supply	120VAC/240VAC 50/60Hz
Power Consumption all channels Driven to full-rated power	400VA (340W)
Power Consumption average operating conditions	100VA (80W)
Power Consumption no signal	30VA (25W)
USA Safety Listing (UL 6500)	Pending
Canada Safety Listing (CAN/CSA E60065.00)	Pending
CE Listing /SEMKO (EN60065, EN55013, EN55020, EN6100-3-2, EN6100-3-3/A1)	Pending

Physical Specifications	
Unit Size Millimeters	88H x 430W x 325D
Unit Size Inches	3 1/2 Hx 17W x 12 3/4D
Shipping Size Millimeters	290H x 540W x 440D
Shipping Size Inches	11 3/8H x 21 1/4W x 17 3/8D
Unit Weight Pounds	19.0 (8.6 kg)
Shipping Weight Pounds	30.0 (13.6 kg)

www.nuvo technologies.com

3015 Kustom Drive, Hebron, KY 41048
Phone: 859-817-7200 Toll Free: 866-796-4904

NUVO®

The Sound of LiVing.



NuVo uses D Amplifier™ by Philips Semiconductors

CTD-210-0732



Concerto®

Six-Source, Eight-Zone Audio Distribution System

- Grand Concerto package ships with the following:**
- Concerto six-source, eight-zone Generation D digital sound amplification (six amplified zones)
 - Six Capacitive Touch Control Pads, each with white, ivory, almond, and black magnetic trim plates
 - Six IR Emitters, EZ Port, and Network Cable
 - One remote with batteries

Note: EZ IR Learning Station and software required for programming

CAUTION: NuVo may cause spontaneous dancing.

Distribute audio in your home like never before—from 6 sources to 8 zones.

The Grand Concerto Delivers Impeccably Crisp Audio Here, There, and Everywhere.

Experience ultimate sound.

NuVo's latest masterpiece is an elegant, intelligent, whole home audio system that combines our unparalleled performance with the industry's most innovative technology – at an affordable price.

With the Grand Concerto system from NuVo, enjoying uninterrupted, pure, digital sound is a reality in your home – from the master suite to your patio oasis.

Feel the power.

Get a truly powerful audio experience with 80 watts of power per listening zone – enough to drive several AccentPlus speakers in one zone. Listening at loud or soft levels, get crystal clear sound throughout your home. Our unique Generation D design protocol means energy conservation, lower heat generation, and higher power output.

Integrate seamlessly.

Considered to be one of the most uncomplicated systems for integration and control, the Grand Concerto comes equipped for home automation. Because NuVo products are designed for compatibility, it's easy to incorporate your audio distribution system into a complete home automation installation with full connectivity and control.

Install with ease.

Concerto's unique EZ Port connection hub neatly integrates the entire system while concealing all keypad wiring.

When you compare the Grand Concerto with competitors' products – on performance and price – you'll quickly see and hear the difference NuVo makes.

Change the way your family listens to music – forever.

Control with a simple touch.

NuVo proudly presents an innovative capacitive touch control pad that is a first in this industry segment. The smooth interface comes alive with touch, providing cunning audio management that fits elegantly into any décor.

Find what you want.

The innovative Capacitive Touch interface means that with a simple touch of your finger, this smart navigation system allows you to jump directly to your preset favorites. Make selections by source, or browse by station, play list, track, artist, album, or genre. With unlimited favorites and source reflective navigation, operating your audio has never been easier.

With this much control, you may never leave the house.

See what you need.

The interactive, 2.7" OLED surface displays up to 8 lines of text. Its customizable view offers a range of available scheme options to fit your viewing preference. Additionally, the maximum light contrast of OLED makes all information clear and easy to read in any lighting and at any viewing angle.

Listen the way you want.

You can adjust your listening settings to fit the natural acoustics of a room or choose from the many preset listening features like "Source Grouping," "Master Mode," and "Mute." You can easily personalize your experience to your preferred sound style.

NuVo continues to provide quality products that are Affordable, Complete, Easy – and Innovative. A forerunner, bringing proven, cutting-edge technologies into this market segment, NuVo revolutionizes the whole home audio experience.



The Grand Concerto Suite.

Personal, terrestrial, and extraterrestrial from one complete whole home audio solution.

Take your Grand Concerto to the next level by adding NuVo's smart components! Add the M3 Music Server and T2 Tuner to the Grand Concerto system and realize ultimate control. With NuVo's smart source components, you'll have full display feedback and control of your sources, right at your Concerto Control Pad.



M3 Music Server

T2 Tuner

Grand Concerto®

M3 Music Server

Personalize your audio experience with your own music library. The 160 GB drive is Windows Media Player based and Microsoft PlaysForSure™ certified. Epicly, leading the way in the next generation of music management, the M3 applies DRM (Digital Rights Managed) compatibility to three source outputs. Simply Sync your personal home music server with your PC just like your MP3 or iPod and instantly call up and browse your music library from any Concerto Control Pad in the house.

T2 Tuner

With reception this remarkable, the NV-T2 just may be the closest we've come to music from the heavens for an earthbound audience. Combine the best of both terrestrial and extraterrestrial signals in three available versions: dual AM/FM/Weatherband, AM/FM/Weatherband and XM® Satellite radio, or dual XM® Satellite radio. The T2's "smart source" design gives you the supreme radio experience with Radio Data Service (RDS), displaying artist and song information on your Concerto Control Pad. Its exclusive, patent-pending Remote Active Antennas deliver crystal clear AM/FM reception up to 200 feet and XM® reception up to 120 feet from the tuner location.



NUVO®

The Sound of LiVing.

