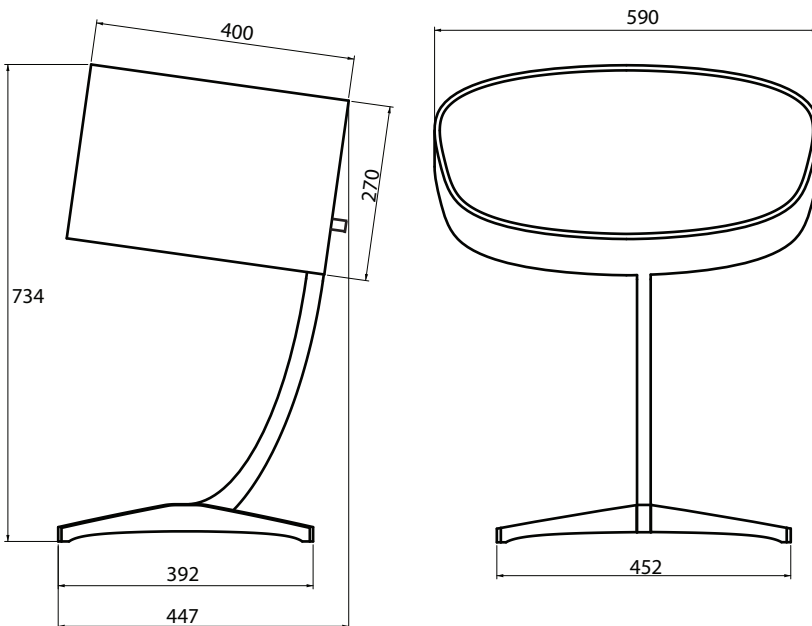


## Ray

Frequency response:	38 - 20.000 Hz (anechoic room)
Impedance:	7.5 ohm minimum at 150Hz/ 4.1 ohm minimum at 20KHz
Sensitivity:	89 dB/2,83V/m
Long term Power:	150W (AES)
Woofer:	8" studio woofer Xmax 25mm peak-peak, Symmetrical dual spider for improved power handling Low distortion due to symmetrical magnet system
Tweeter:	1" illuminator, coaxially mounted on extended pole wide surround silk dome diaphragm ring neodymium magnet
Cross over:	2800Hz
System:	Bass reflex, aerodynamic inlet & outlet
Terminal:	Spades - Cardas patented binding post, pure copper
Cabinet:	16 layer beech wood form pressed veneer + MDF internal stiffener
Finish:	Walnut, gloss 25. Cow leather on front and back, black
Stand:	Water/Laser cut solid steel, powder coated.
Spikes:	M6 thread
Weight:	25 kg / piece
Dimensions:	in mm



## Rithm

Frequency response:	50 - 20.000 Hz (anechoic room)
Impedance:	8 ohm
Sensitivity:	86 dB/2,83V/m
Long term Power:	80 W (IEC 268-5)
Woofer:	7" Xmax 19mm peak-peak
Tweeter:	1", coaxially mounted neodymium magnet
Cross over:	3200 Hz
System:	Bass reflex
Terminal:	Gold plated WBT 6 way binning posts
Cabinet:	6 + 10 layer form pressed walnut + beech veneer
Finish:	Walnut, gloss 20. Robot painted side panels, black
Spikes:	M6 thread
Weight:	12kg / piece
Dimensions:	in mm

